



24X-4Z

TRUCK-MOUNTED CONCRETE PUMP

Placing boom	B4Z 24
Pumping unit	PU1006
Driven by	Gearbox PTO
Chassis	4x2

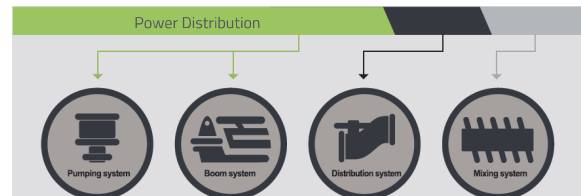


Technical Specification

BOOM B4Z 24		
Maximum vertical reach	m	23.2
Maximum horizontal reach (from center of slewing axis)	m	19.7
Maximum depth reach	m	13.8
Minimum unfolding height	m	4.76
Section numbers		4
Boom type		Z
Pipeline diameter	mm	125
PUMP PU1006		
Maximum theoretical output	m ³ /h	100/60
Maximum theoretical pressure on concrete	bar	60/100
Concrete cylinders (diam. x stroke)	mm	230 x 1650
Hydraulic circuit		Open
CHASSIS		
Chassis brand	m ³ /h	Sinotruk
Engine power	kW	209
Emission standard		Euro 5

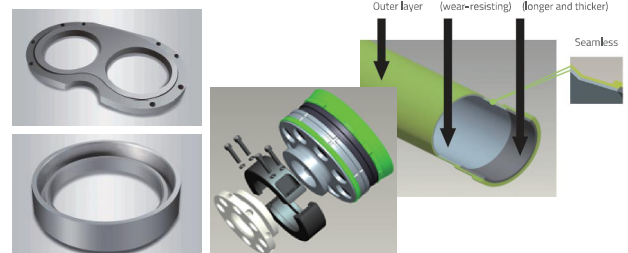
Product Highlight

- Energy saving



The 4th self-adaptive variable power technology saves fuel by 10%.

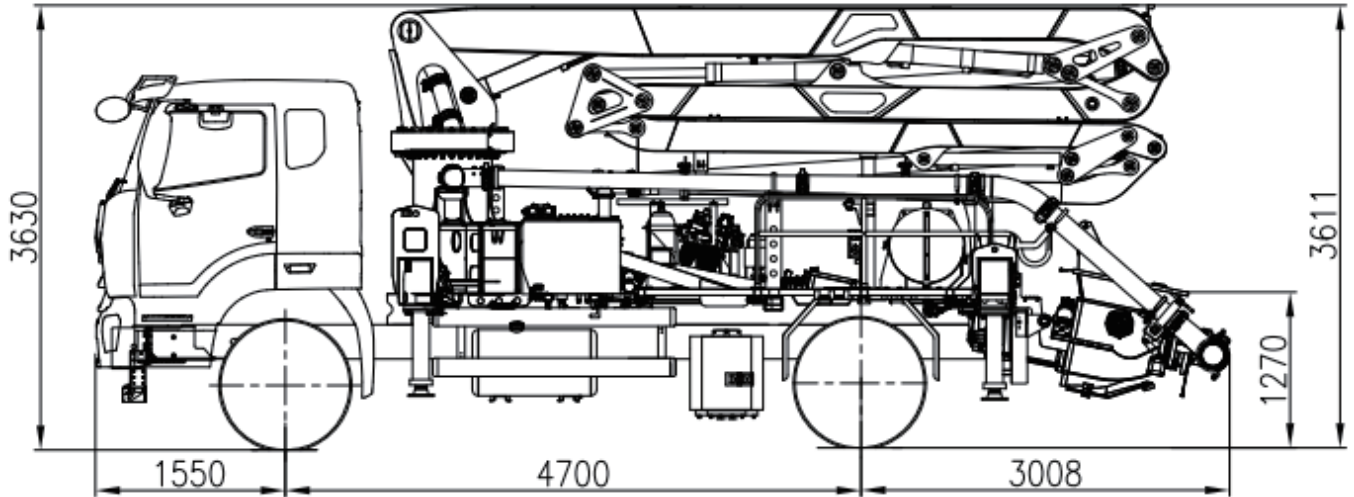
- High reliability: Fatigue optimization design
Service life of boom structure: 8 years or 400,000 m³ without crack, making it equivalent to European standard.
- Intelligence : 3-level fault self-diagnosis
Full self-diagnosis before, after and during pumping to ensure working safely.
With 31 inserted sensors, execute 61 self-diagnosis items.
- Low Maintenance Cost



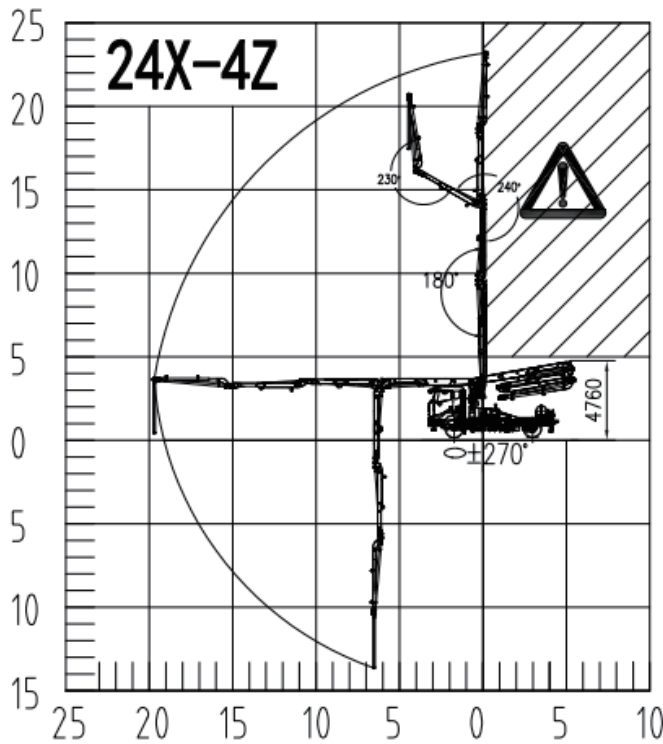
Wearing parts have long service life.



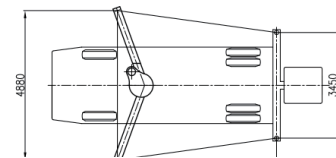
24X-4Z



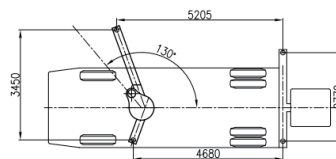
Note: Dimensions depend on truck.
Dimensions in mm.



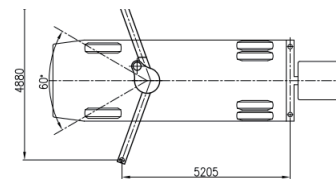
! : Range in which forbid to work.



Full support



Right/Left side support



Front support

